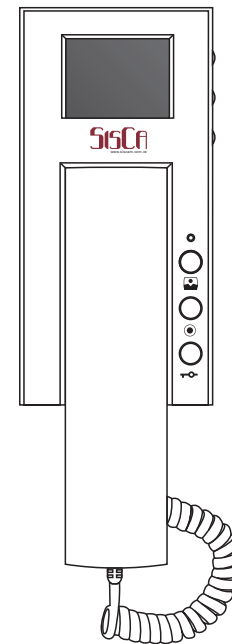


Video Door Phone Monitor

Model No: 7620 CX

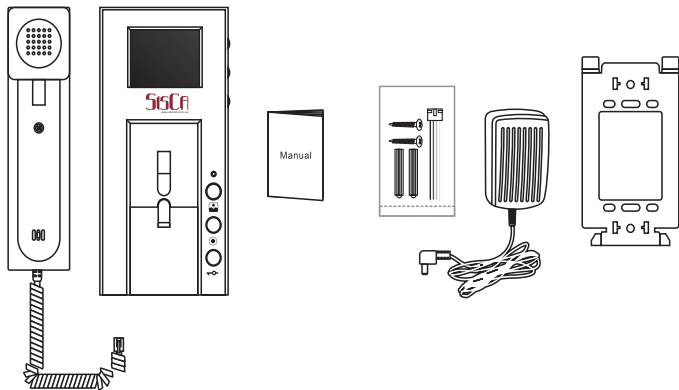


IMPORTANT CAUTIONS	1
PARTS CHECKLIST	1
FEATURES	2
CONNECTION	2
INSTALLATION	4
SPECIFICATIONS	4

IMPORTANT CAUTIONS

1. To prevent fire or shock hazard, do not expose the unit to rain, moisture or other liquid and do not overload the power cord.
2. Instructions! Read and keep the instructions-all safe and operating instructions should be read and followed before the unit is operated.
3. Power Sources! This equipment should be operated only from the type of power source indicated on the marking label and the power cord protection is needed.
4. Servicing and replacement of parts! Do not attempt to service this product or replace any parts inside by yourself as opening or removing covers may expose you to dangerous voltage or other hazards. Refer all servicing to qualified service personnel.
5. Lightning! For added protection for this product before a lightning storm, or when it is left unattached and unused for long periods of time, unplug it from the wall outlet and disconnect the cable system. This will prevent damage to the product due to lightning and power-line, telephone-line, RF cable and Actuator/Polarization surge protectors to protect your system from possible damage.
6. Move with care! This product is easy for damage, care for it during transportation, storage and installation.

PARTS CHECKLIST

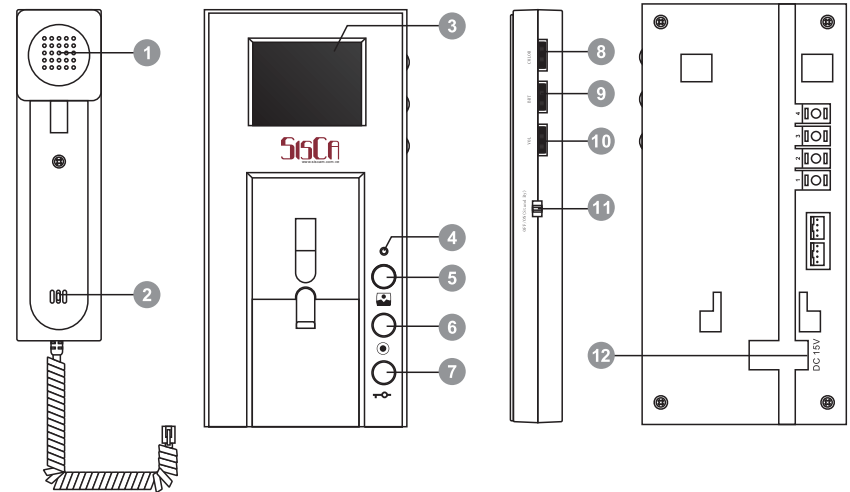


- | | | | |
|-------------------------|-------|---------------------|-------|
| ■ Handset | 1 PCS | ■ Insertion plastic | 2 PCS |
| ■ Unit | 1 PCS | ■ User manual | 1 PCS |
| ■ 4x18mm Mounting Screw | 2 PCS | ■ Power Adapter | 1 PCS |
| ■ Mounting Bracket | 1 PCS | | |

FEATURES

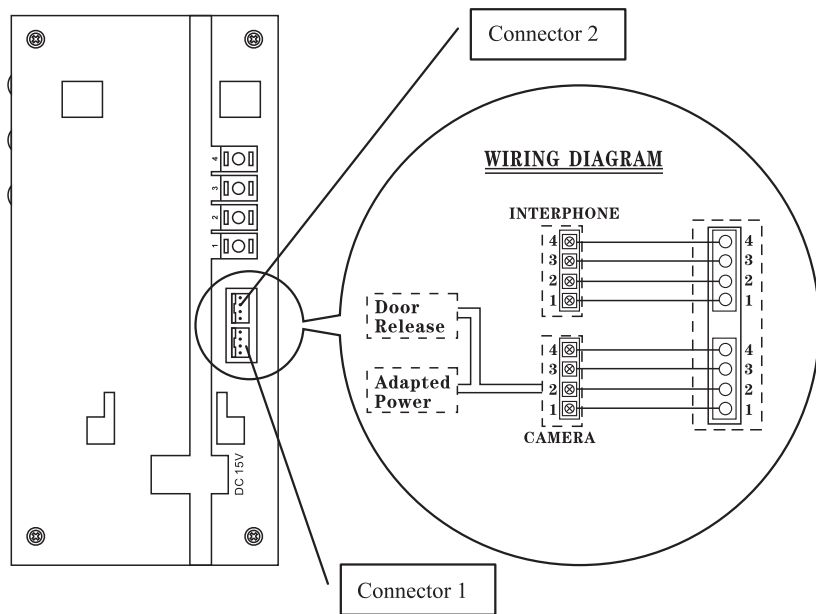
7620 CX is a four wire 2.4" handset monitor with features:

1. With 2.4" TFT LCD video display for visitors.
2. Remote lock release
3. Intercom between all connected interphones in a system.



- | | |
|------------------------|-------------------------|
| 1. Handset speaker; | 7. LOCK RELEASE button; |
| 2. Handset Microphone; | 8. COLOR tuner; |
| 3. TFT LCD; | 9. BRIGHTNESS tuner; |
| 4. Power indicator; | 10. VOLUME tuner; |
| 5. MONITOR button; | 11. Switch; |
| 6. INTERCALL button; | 12. DC power connector. |

CONNECTION



1. Connect to camera

There are two 4-pin connectors on the back of unit; connector 1 is designed for camera. The pin definitions are:

Wire No.	1	2	3	4
Wire Definition	Audio	GND	Power	Video
Recommended Cable	AWG#22-26			

2. Connect to interphone

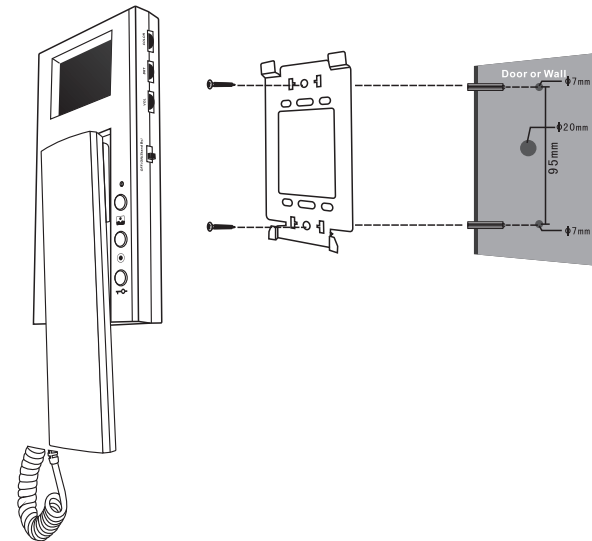
There are two 4-pin connectors on the back of unit; connector 2 is designed for camera. The pin definitions are:

Wire No.	1	2	3	4
Wire Definition	Audio	GND	Power	Intercom
Recommended Cable	AWG#22-26			

3. Connect to power adapter

There is a standard DC connector at the back of unit, marked as “DC 15V”, it is used to connect DC15V power adapter.

INSTALLATION



1. After determining the mounting locations for the monitor, fix the mounting bracket securely to the wall. Drill a hole in the Center area of the bracket just large enough for the two wire cable to get through
2. Connect the handset cord to the monitor unit.
3. Attach the wired monitor unit to the wall mounting bracket. Plug the AC power cord into a standard household outlet.

SPECIFICATIONS

No.	Parameter	Description
1	Model No:	7620 CX
2	Voltage Requirement	DC15V
3	Power Consumption	Stand by <50mA, Working <100mA,
4	Connection method	Four wire
5	Communication	Simultaneous type
6	Communication Duration	Not limited
7	Communication Distance	AVG#22-26, 50-100 meter
8	Operating Temperature	-10°C to +40
9	Weight	Net:0.22Kg, Gross:0.32Kg
10	Dimensions(mm)	272x95x35mm